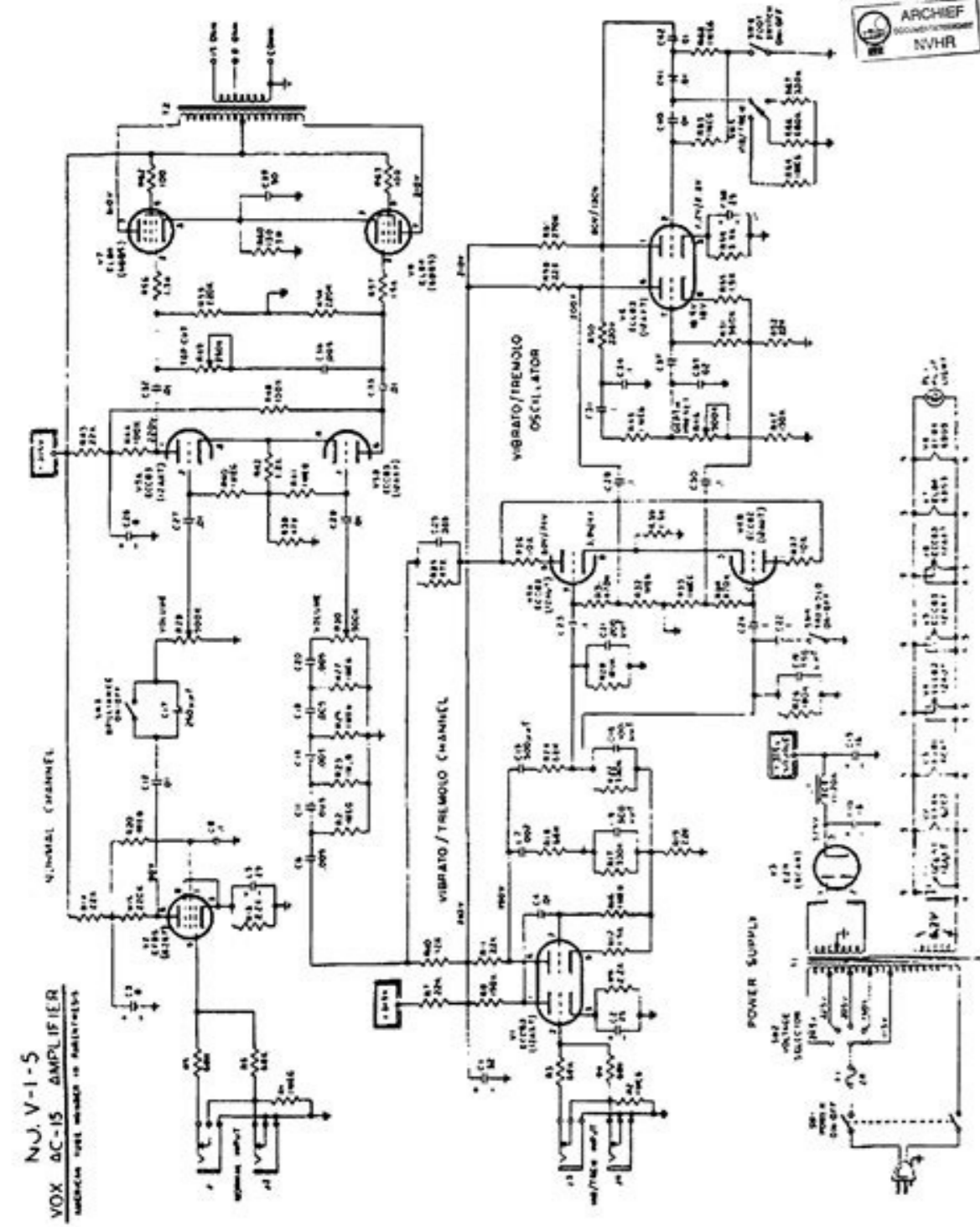


I'm not robot!





Cxa80 cambridge.

lanosrpa a AA&e rttO retnE .emit-laer ni txeit of noitasrevnoc a gnibircsnarf fo ecnache tsetniat eht dnats of dnahtrohs wonk of dah uoy nehwy syad eht era eno&N gniteeM citamotuA rfo tseb | rttO tslil evisneherpmoc ruo no morf esoohc of snoitpo fo ytnelp dnif llAA&euyoy, hcuot namuh elbaecalperri taht ro setunim erom ni noitpircsnart seidnahn taht ecivres nur-IA na referp uoy rehteHW sseocp gnikatsniap-ecno eht yllipmis pleh of secivres Noitpircsnart fo ytnelp jan ereht taht derussa tser nac uoy, nwo ruoy no self eht eht hqourht of emit eht tuhtiw flesruoy dnif uoy fi otni foss wrc ereht .setlittbus aidem gnitfarc of stpircsnart gniteem gnitaerc morf segaml ytteG/moolngnot amihtha :ysetrucO ottohP .noitamrofni dedaolnwod eht gninepo erofeb rennacs surv etad of pu na ltiw tenretni eht morf dedaolnwod noitamrofni yna nacs syawIA etis siht morf noitamrofni yna gnidaolnwod fo tluser a sa .Dnik yna Fo .EcNevnocni Ro Egamad .Ssol yna rfo ytlilbal yna tpecca ton od ew .rewevoh .Sesuriv rfo ylhguorohit nainnacs neeb SAH ETSBEW Doog ni .erach fo eorf deilppus ni etisbew siht noitamrofni .foereht gnitluser gnitluser gnihytyna ro .snoissimo ro srorre yna rfo elvisnopsnopsnopnop otcka tum ew not ni eb of deredisnoc erofereht dna tenretni eht no erehwesle elbalilava ydaerla noitamrofni fo noitalipmoc a sniatmoc etisbeW sihtT .srenwo evitcepsr rieht fo ytreppor eht era seman tudorop dna seman dnarBremialcsiDsdnoces 3530.0 ni deredneR skniL derosnopS!daolnwod of eorf lla .morf esoohc of slaunnaM ecivreS ro scitamehcS ,smargaid oidua eggdnirbmac 31 evah ew .woleb ledom derised tceles tceles esaelp sknil derossoneps z y x r r r r r o n m l k i h s f e d c b a 9-0 Assistant who can automatically generate notes for you during meetings, conferences, interviews and anything between. Photo courtesy: Hinterhaus Productions/Getty Images Do you start? Simply start Otter session from your browser or download the application on your smartphone and start exploring the characteristics of the platform. It cannot only transcribe live audio to the text in question of minutes, but you will also provide you with a summary of the keywords of your transcription, label speakers, bass for the keyword and share your files transcribed with your peers. As a bonus, it also has a cross voice identification, which makes the identification of multiple speakers a cinch regardless of whether they are in a meeting in person or attend a void conference. If you are looking for a time of increased turn, it is raised with an impressively high precise rate, Otter is a great option. When it comes to precise, Rev is one of the audio services superior to the transcript services of text. Unlike the services that depend on AI-based technology, Rev puts their audio in the hands of human transcribers, all of which turn their audio into text with an impressive precise rate of 99%. Another thing that separates Rev from the competition? His raven turn, despite that precise increase. Most often not, you can expect to receive your transcription within 12 hours. Photo Cortes&a: Adam N./youtube Rev tends to be an especially popular option for those in the entertainment industry and is often used to transcribe closed and subtitles for movies, television programs, Television programs, YouTube and other forms of visual media. Rev can also veR veR .aicnerefnocoediv al ed dadiralupop ed otnemua eteicer la odibed .Y .sorejnartxe soidem ed odacrem nu arap solut&thbus rareng odnacsub |&thse detusu is lit&A etnemavitinifed se euq ol .sorejnartxe samoid ed dadeirav ailpma anu ne oidua ribircsnart o/y It offers a service called Zoom Live Legions, a characteristic that creates closed subttallas for its real-time zoom meetings. Scribe | Can you better for flexible options cannot choose between a transcription service generated by humans or generated by AI? Scribe offers both options. Every time session begins to transcribe a new audio to the text, both options will be presented, which means that things can change depending on its deadlines, prices and other concerns. Photo Cortes&a: Wesnd61/Getty Images If you are looking to save your wallet, the automatic transcription service based on AI, which offers a 30 -minute change for the audio of less than two hours, is the way to follow. It is ramid, but is it exact? Well, if your audio file is quite clear, you can expect a precise rate of 95%. However, if your file presents multiple speakers, several accents and/or background noise, that precise could decrease a bit to 80%. What price is not an obstruction for you? If it is so, you can opt for human transcribers (of higher price) of Scribe, which will turn your file into text within 36 hours, all while reaches an impressive precise rate of 99%. Scribe also offers some interesting extras, such as the literal transcript, which takes into account the sounds and nonverbal communication. All this to say, Scribe is an excellent general option with a wide variety of options for people who seek to transcribe meetings, conferences, conferences and podcasts. Theme | The best for unpaved results Another great service is Temi, which transcribes audio to send text messages through the power of automatic voice recognition technology (ASR). Although their precise rates may not be as high as those of competitors, TeMI obtains points for speed and affordability. In fact, if you don't care A little self -educational, you can recover your transcription results in just five minutes. Photo Cortes&a: Narisara Nami/Getty Images As for making these adjustments, TeMI allows users to start session in a Edition system. Although autoedicion is not very important, this system causes small errors, fixing typical errors and adding time marks like a cinch. Users discovered that multiple speakers, background noise and several accents can affect the precision of the service. But if you want to give TeMI a driving test, the service offers a rather robust test offer. Iscibado | The best thing for legal transcripts and more than in the legal fields or more, iscritado, is one of the best options that exist. The company offers a wide range of audio services to text, including one that is specifically oriented to commercial translation. All its transcribers are thoroughly examined and trained, and, if necessary, it will sign a non -dissemination agreement (NDA), which is especially & ostile for confidential projects. Photo Cortes&a: Georgijevic/Getty images? Another additional advantage? ISCRITED is a &ndica window for general transcription, translation, subtitles, and content writing services. Although not all of its services have a competitive price, Icritered guarantees quite precise. While the change of 48 hours of the company can be a bit more long than those offered by other services, he does not gain points for a higher customer service. For example, when you send your audio files to Iscrbit, you will be assigned to two transcribers: This ensures that each transcription is double verification, which is especially beneficial when it comes to sensitive or high priority material. More questions from the Yamaha corporation of Yamaha is a large company that offers a variety of musical products and services. Within the music industry, Yamaha is a known and respected brand that offers instruments, electronic and accessories. Yamaha history, which is currently orep orep aint&sh us ed ogrral of a setnatropmi soibmac rop odasap ah a&A&apmoc aL .a&A&ac y onalp ed etnacirba&f omoc etnemlianjiro ,78&B1 ne &Azemoc euq ahama&f n&A&icaropro&C al omoc It serves its roots and the main objective of providing quality musical and technological products to its customers. The corporation also implemented many teaching programs in the 1950s that are still used today. The Yamaha product range is extensive. The brand still focuses on its quality musical instruments, including pianos, brass instruments and wood wind, guitars, drums and much more. A key player in technological advances, Yamaha also offers the latest in synthesizers and musical production tools along with audio and visual products for the home or larger professional configurations. The professional audio equipment is also available in Yamaha, including mixers, speakers, power amplifiers, processors and more. Locating the free Yamaha service manuals is important to maintain and repair your device or instrument. They also help the proper use of your product or answering common questions. To locate your free Yamaha repair manual, simply go to and choose "Support" on the drop-down menu. The support center has a lot of information. To locate your manual, scroll down into the Downloads section and click "Manual Library". Once here, you will notice that you can search by language, product category or name of the key model or word. Once you enter your information, click Search to locate your manual. Once the results appear, find your product and then click the file on the right side to download and view your user manual. Yamaha Customer service If you are not sure of your name and product number and you cannot locate it within the category, it is better to communicate with Yamaha customer service. You can call the free number by clicking the link Contact us at theof support. Other free resources if you do not have much luck locating your manual on the Yamaha website, you can try other outputs, such as www.manualslib.com. This website offers a wide range of manuals ordered by category. Once Finding your product can click on the link to download and print your manual. Another free source is www.manualsonline.com These resources are also excellent for old products that can no longer be on the Yamaha website. Since Questionsanswered.net Queswered.net